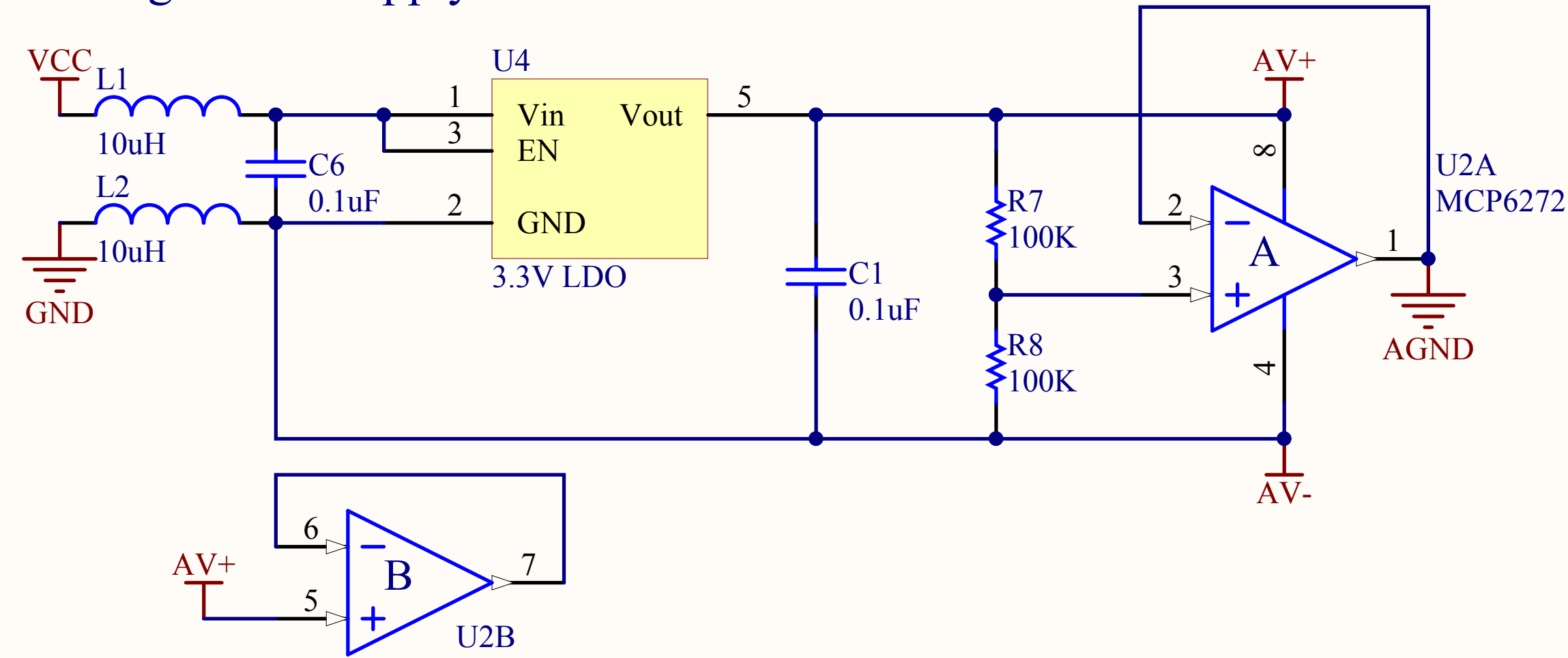
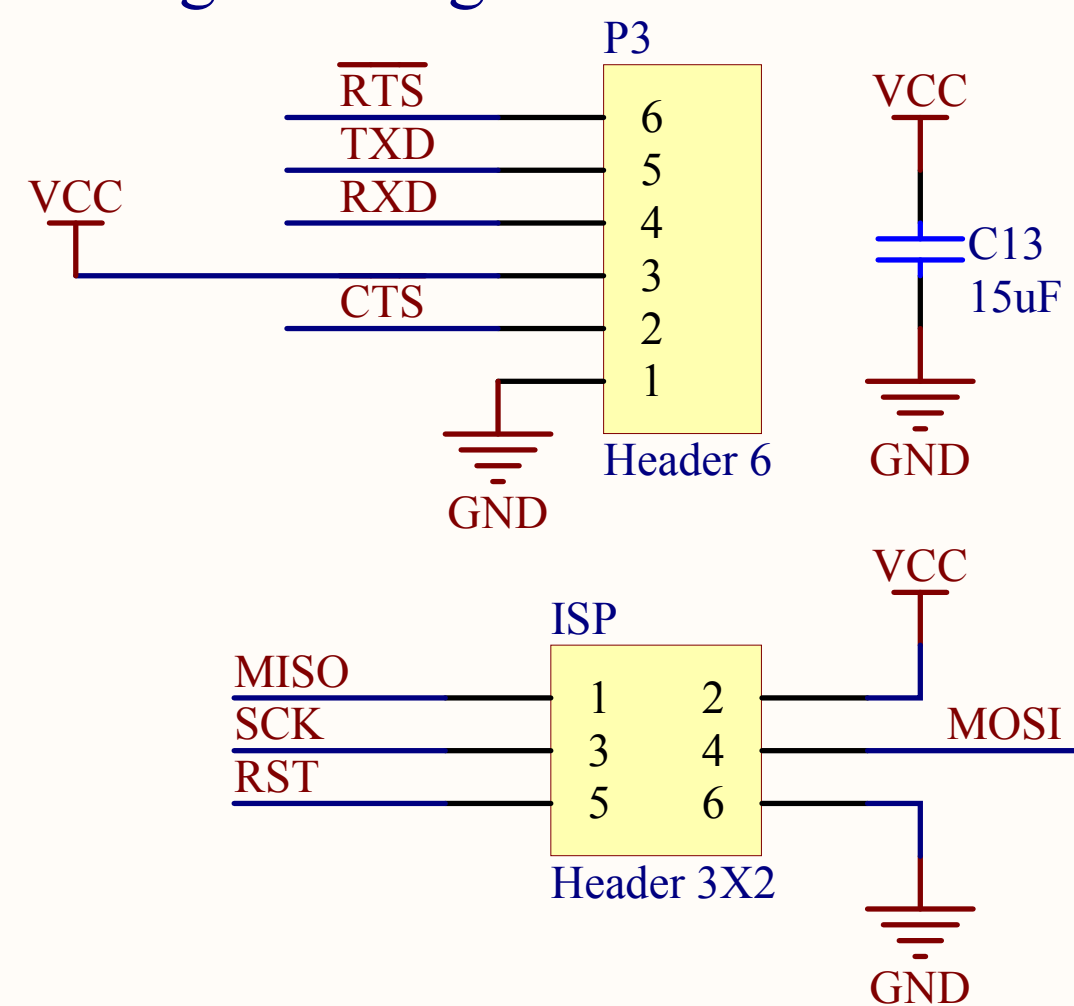


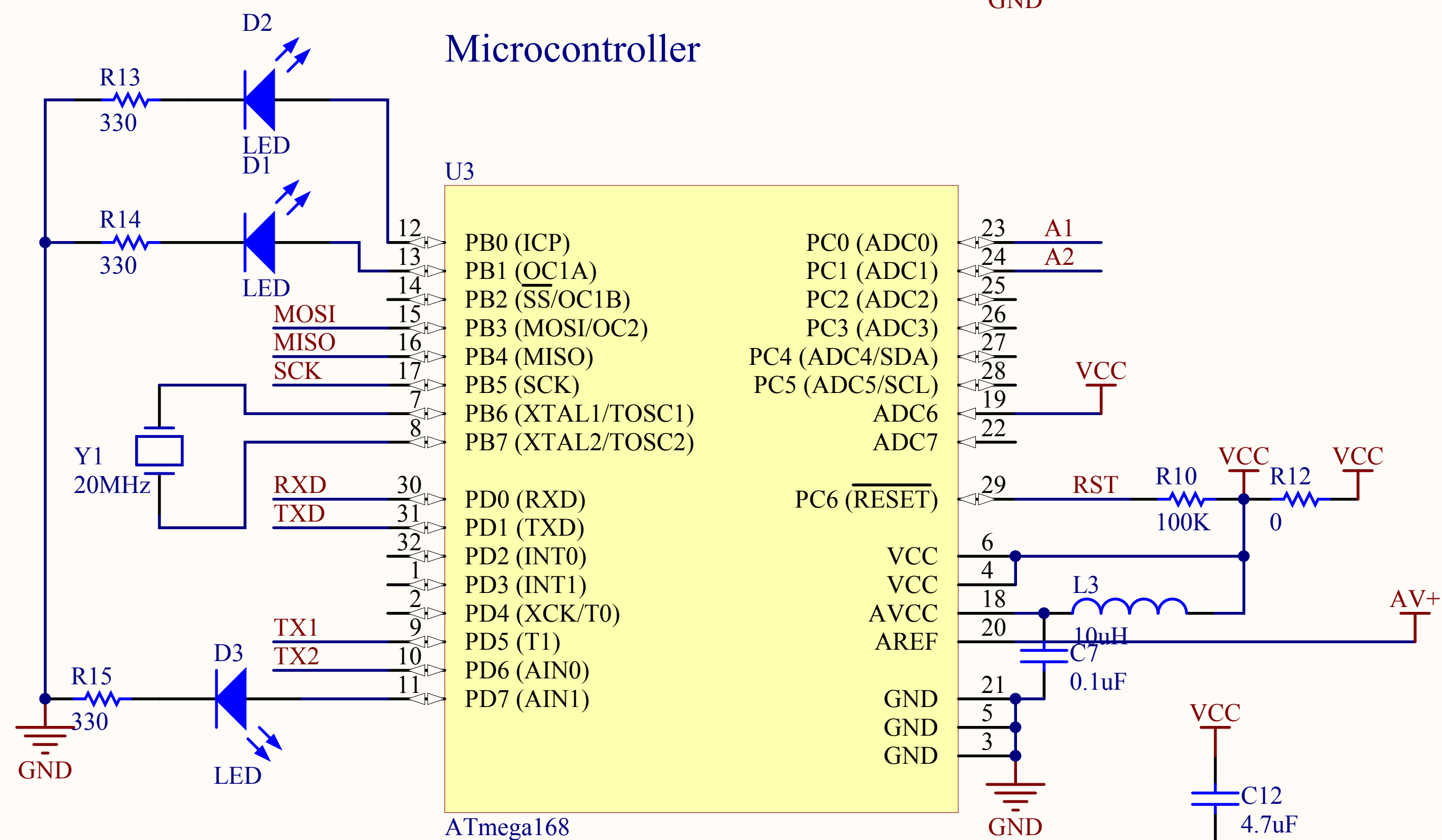
### Analog Power Supply



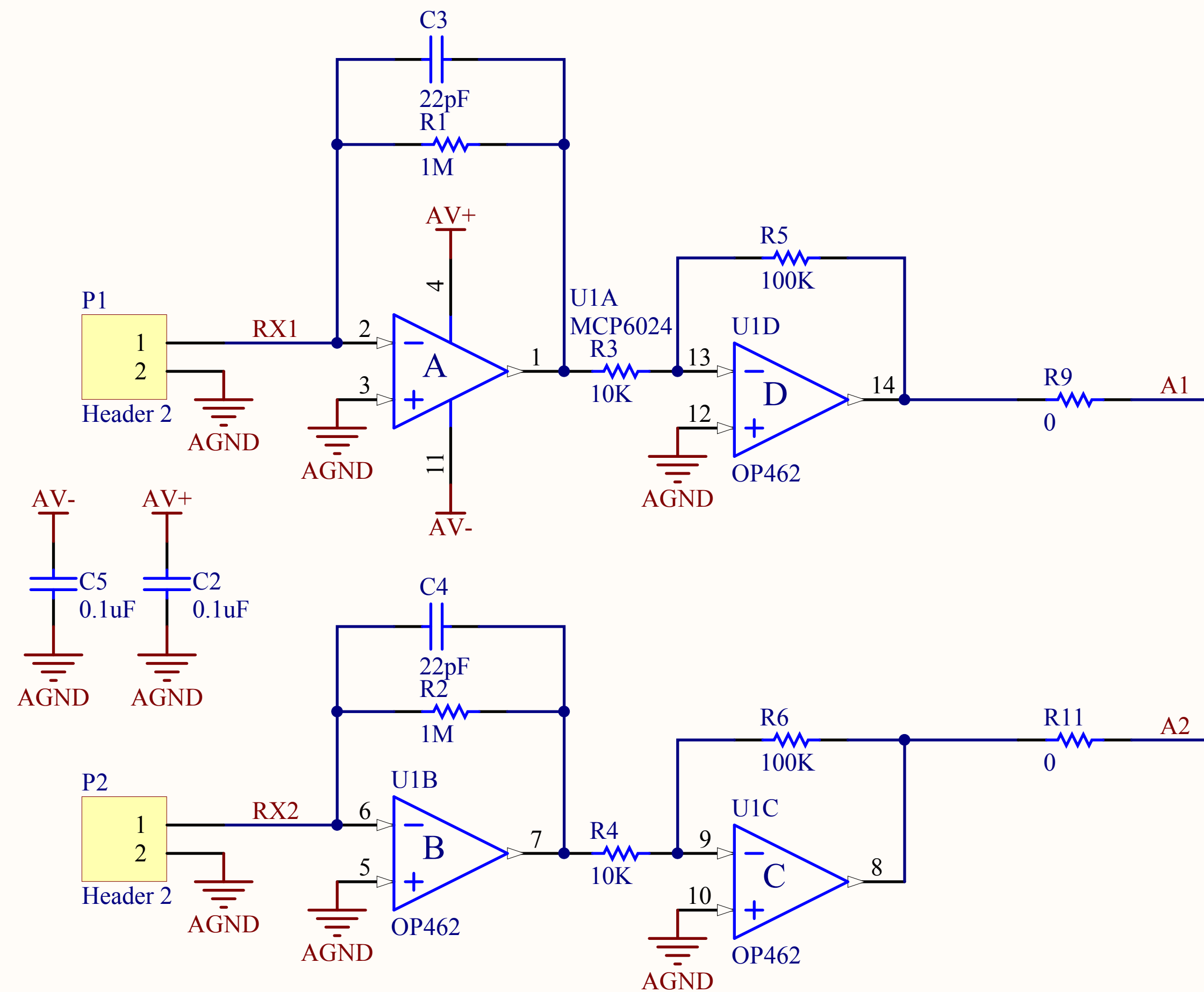
### Programming/Serial Connectors



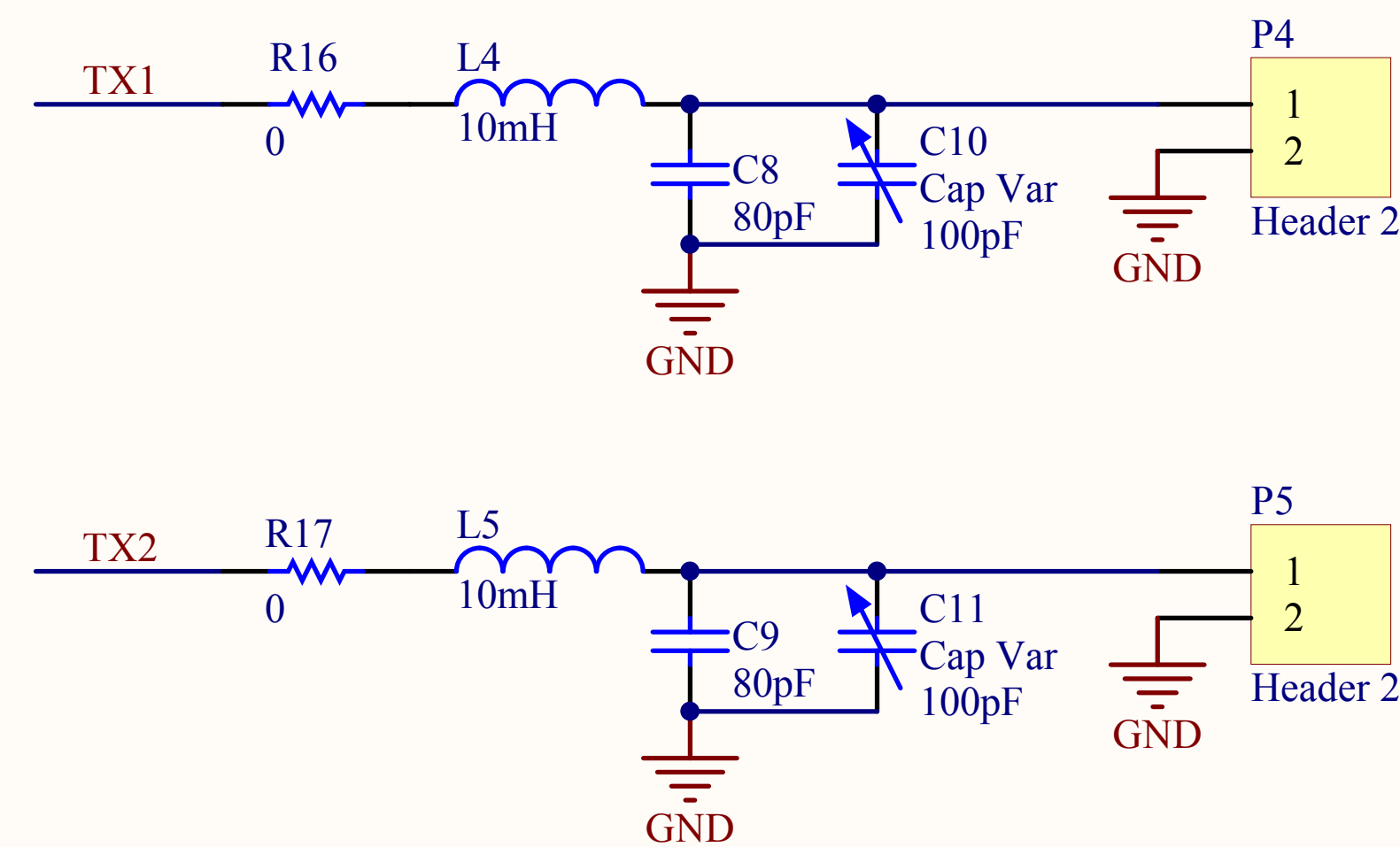
### Microcontroller



### Analog Receive Front End



### Transmit Resonators



MIT Media Lab - [bmayton@media.mit.edu](mailto:bmayton@media.mit.edu)

Title		
The FabFish: E-Field Sensor Development Kit		
Size	Number	Revision
Letter		β3
Date:	6/12/2011	Sheet 1 of 1
File:	C:\Documents and Settings\...efield_fab.SchDoc	Drawn By: B. Mayton

